

HAND-PORTABLE FIRE EXTINGUISHERS




Quality is Behind the Diamond[®]



PORTABLE FIRE EXTINGUISHERS FROM AMEREX

AMEREX portable fire extinguishers have been the industry standard for more than 50 years. Since 1971, our commitment to quality, service, and innovation has been unmatched.

Quality is Behind the Diamond[®]—in every product.

 People never think twice about fire extinguishers until they need one, but when they need one the extinguisher must work. At Amerex, we all work together to make sure we're delivering the best quality products available. From our quality audits at each level of production to shipping

preparations before leaving the warehouse, you know the products you receive are what you have come to expect from Amerex. With warehouses located in Oakland, NJ; Elk Grove Village, IL; Santa Fe Springs, CA; and Trussville, AL, you are assured that product lead times are at a minimum.

For more detailed product and ordering information, visit webstore.amerex-fire.com.



Longer life, lower cost, and the best warranty in the industry—**that's quality behind the diamond.**

All Amerex Fire Extinguishers comply with the recommendations of the **National Fire Protection Association** and are tested and rated by **Underwriters Laboratories** or **FM Global** to **UL Standards**. All extinguisher nameplates contain the necessary HMIS information to comply with national and local OSHA requirements.

WHERE TO USE

AMEREX manufactures a variety of hand-portable and wheeled fire extinguishers, both “compliance” (code required) and “specialty” types.

“Compliance” extinguishers are designed to meet and exceed state or local fire protection requirements. “Specialty” extinguishers are intended for use on particular types of hazards so they should be placed in close proximity to the specific hazard they are meant to protect. It is natural for a person to use the extinguisher located nearest to a fire. The most current issue of NFPA-10 should be consulted for minimum recommended fire extinguisher types, placement, and travel distances. Your local Amerex Fire Equipment

Distributor is professionally equipped to help you evaluate and implement these recommendations. All “Pictograms” are detailed below and should be reviewed with all who might be expected to use a fire extinguisher. Everyone should be familiar with these picture symbols that identify the types of fires on which they may be used. The international sign system diagonal red slash indicates a potential danger if the extinguisher is used on that particular type of fire.

TYPES OF FIRES			
Class A	Ordinary combustibles	Wood, paper, rubber, fabrics, and many plastics	
Class B	Flammable liquids & gases	Gasoline, oils, paint, lacquer, and tar	
Class C	Live electrical equipment	Fires involving live electrical equipment	
Class D	Combustible metals or combustible metal alloys	Magnesium, titanium, potassium	
Class K	Fires in cooking appliance that involve combustible cooking media	Vegetable or animal oils, and fats	

Types of Extinguishers	
Class A	
Class A:B	
Class A:B:C	
Class A:C	
Class B:C	
Class D	
Class A:K	

HOW TO USE

All AMEREX extinguishers are furnished with a detailed “Owner’s Manual” containing valuable information on the installation, use, and maintenance of the extinguisher. The extinguisher nameplate contains specific information on “HOW TO USE” the particular extinguisher. The label instructions vary slightly according to type and size. Potential operators should be familiar with the instructions on any extinguisher they might be required to use.



APPLICATIONS



HEALTHCARE

Aluminum Valve Dry Chemical, CO₂,
Clean Agent, K Class, Water Mist, Wheeled Units



TRANSPORTATION

ABC Dry Chemical—All varieties (OEM, Up-fitters, Aftermarket)



INDUSTRIAL

Light: Aluminum Valve Dry Chemical, Clean Agent, CO₂, Class D
Medium: Aluminum Valve Dry Chemical, Clean Agent, CO₂, Class D
Heavy: Brass Valve Dry Chemical, Z-Series, Class D, Wheeled Units



EDUCATION

Aluminum Valve Dry Chemical, Clean Agent,
K Class, Water Mist, CO₂



DISTRIBUTION CENTERS

Brass Valve Dry Chemical, Z-Series, Wheeled Units



CHEMICAL

Brass Valve Dry Chemical, Z-Series, Wheeled Units



OIL AND GAS

Brass Valve Dry Chemical, Z-Series, Wheeled Units



Quality is Behind the Diamond®

WATER

RUGGED

- 5-Year manufacturer's warranty
- Stored pressure design
- Polished stainless steel cylinders
- All-metal valve construction
- Exclusive crevice-free, butt-welded cylinder
- Temperature range -40°F to 120°F

USER-FRIENDLY

- Maximum visibility during discharge
- Large loop stainless steel pull pin
- QR coded and multilingual labels

OPTION

- Model 506B anti-freeze charge

MODEL 240 utilizes the cooling, soaking, and penetrating effect of a 45-55-foot stream of WATER. The 55-second discharge time makes it very effective for inexperienced operators for use on Class A fires that include combustibles such as wood, cloth, paper, and many plastics. This section is constructed with a chrome-plated brass valve and polished stainless steel cylinder, which helps eliminate corrosion.

EXTINGUISHER
SHIPS EMPTY



240



THE MODEL 240 MAY BE FREEZE-PROTECTED TO -40°F BY ADDING A MODEL 506B CHARGE

AGENT TYPE	WATER
DESIGN	Hose & Nozzle
MODEL NUMBER	240
UL & ULC RATING	2A
CAPACITY	2.5 Gal
SHIPPING WT. (LBS)	7.5
HEIGHT (IN.)	24.5
WIDTH (IN.)	9
DEPTH (IN.)	7
RANGE (INITIAL-FT)	45-55
DISCHARGE TIME (SEC.)	55
NOMINAL OPERATING PRESSURE	100 PSIG
INCLUDED BRACKET	Wall

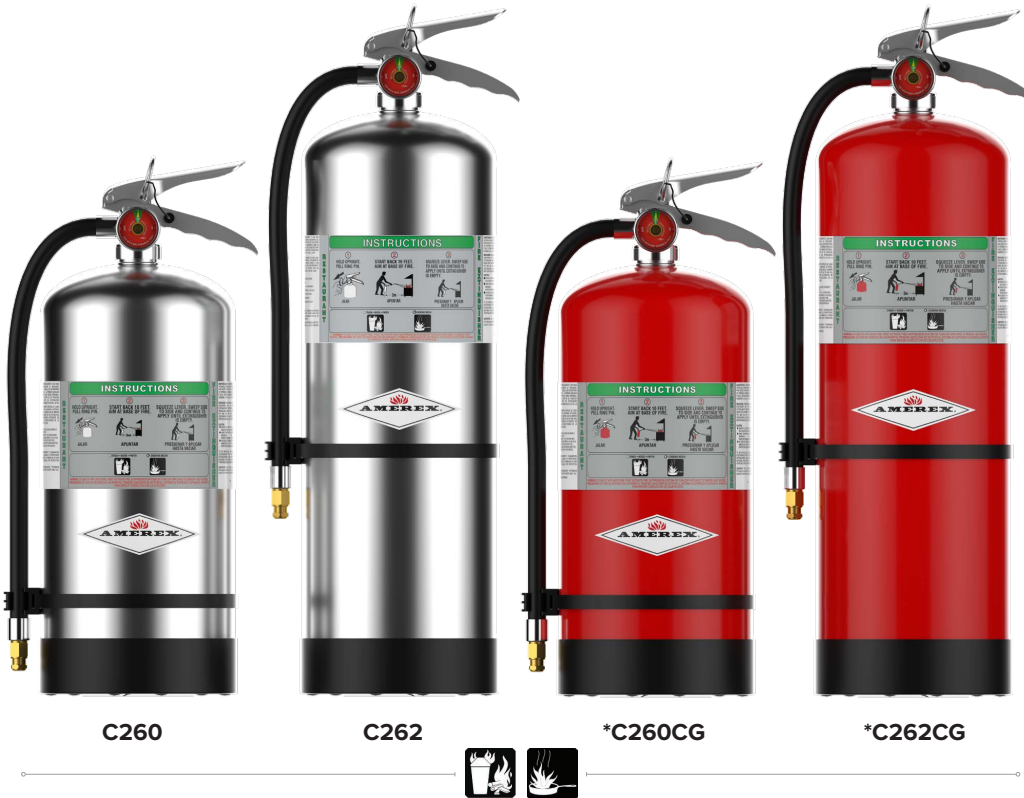
MANUFACTURED AND TESTED TO UL STANDARDS
COMPLIES WITH NFPA 10 STANDARD
ISO-9001/ISO-14001 CERTIFIED UL LISTED

CONFORMS TO TEST STANDARDS:
CAN/ULC-S507 - UL 626 &
CAN/ULC-S508 - UL 711



WET CHEMICAL

WET CHEMICAL extinguishers are the best restaurant kitchen appliance hand-portable fire extinguishers you can purchase. Each model utilizes a specially blended potassium acetate base agent and has been tested and approved by UL for restaurant kitchen hazards. The recent trend to more efficient cooking appliances and use of vegetable-based cooking oils dictates the use of a hand-portable fire extinguisher with greater fire-fighting capacity and cooling effect to combat these very hot and difficult fires. The Class K is available in two sizes; 6 liter or 2½ gallon—with attractive stainless steel cylinders and easy-to-use hose-and-spray application nozzles. The superior fire-fighting capability of the Wet Chemical agent is placed exactly where you aim it with no dry chemical residue to clean up. Models C260 and C262 are the ideal “KITCHEN USE” fire extinguishers. They supplement existing cooking equipment automatic system protection for the extra margin of safety.



RUGGED

- 5-Year manufacturer’s warranty
- Stored pressure design
- Polished stainless steel cylinders—USCG models have durable high-gloss polyester powder paint coating
- All stainless steel valve construction
- Exclusive crevice-free, butt-welded cylinder
- Tested on commercial deep-fat fryers to UL711 test protocol
- Class 2A rated to meet fire code occupancy hazard requirements
- Temperature range +40°F to 120°F

USER-FRIENDLY

- Factory charged
- Large loop stainless steel pull pin
- Agent discharged as a fine mist—helps prevent grease splash and re-flash while cooling the appliance
- Precise extinguishing agent application
- QR coded and multilingual labels

EXCELLENT FOR USE ON ALL COOKING APPLIANCES INCLUDING SOLID FUEL CHARBROILERS

MODELS C260CG & C262CG COAST GUARD APPROVED

***MUST USE 810CG BRACKET (sold separately)**

AGENT TYPE	WET CHEMICAL	
MODEL NUMBER	C260 / C260CG	C262 / C262CG
UL & ULC RATING	2A:K	
CAPACITY	6 Liter	2.5 Gal
SHIPPING WT. (LBS)	22.5	33.5
HEIGHT (IN.)	19	24.5
WIDTH (IN.)	9	9
DEPTH (IN.)	7	7
RANGE (INITIAL-FT)	10-12	10-12
DISCHARGE TIME (SEC.)	53	107
NOMINAL OPERATING PRESSURE	100 PSIG	100 PSIG
INCLUDED BRACKET	Wall	Wall

MANUFACTURED AND TESTED TO UL STANDARDS

COMPLIES WITH NFPA 10 STANDARD
ISO-9001/ISO-14001 CERTIFIED UL LISTED

CONFORMS TO TEST STANDARDS:

CAN/ULC-S554 - UL 8 &
CAN/ULC-S508 - UL 711



WATER MIST

RUGGED

- 5-Year manufacturer's warranty
- Stored pressure design
- Stainless steel cylinders
- Durable high-gloss polyester powder paint
- All-metal valve construction
- Exclusive crevice-free, butt-welded cylinder
- Temperature range +40°F to 120°F

USER-FRIENDLY

- Large loop stainless steel pull pin
- Maximum visibility during discharge
- No electrical conductivity back to the operator
- No thermal or static shock
- Minimal training—simplest to use
- Most economical agent available
- Sanitary and easy-to-clean white paint finish
- No powder residue
- QR coded and multilingual labels

WATER MIST is the ultimate extinguisher for Class A fires and for locations where potential Class C (electrical) hazards exist. The fine spray from the unique misting nozzle provides safety from electrical shock, greatly enhances the cooling and soaking characteristics of the agent, and reduces scattering of burning materials. The Amerex Water Mist extinguishers contain deionized water (sold separately) making them the best extinguishers for protection of hospital environments, telecommunication facilities, and “clean room” manufacturing facilities. The Amerex Water Mist extinguishers are easy to use, maintain, and service.

MR CONDITIONAL

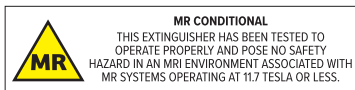
- Nonmagnetic construction tested by an independent agency for use in MRI facilities to 11.7 Tesla (including wall hanger bracket)



C270

C272

MODELS C270 & C272
2-PACK CHARGES 670 &
671 DEIONIZED WATER
EXTINGUISHING AGENT
SOLD SEPARATELY



MANUFACTURED AND TESTED TO UL STANDARDS
 COMPLIES WITH NFPA 10 STANDARD
 ISO-9001/ISO-14001 CERTIFIED UL LISTED

CONFORMS TO TEST STANDARDS:
 CAN/ULC-S554 - UL 8 &
 CAN/ULC-S508 - UL 711

TESTED TO 11.7 TESLA

AGENT TYPE	DEIONIZED WATER	
MODEL NUMBER	C270	C272
UL & ULC RATING	2A:C	2A:C
CAPACITY	1.75 Gal	2.5 Gal
SHIPPING WT. (LBS. EMPTY)	7	8
HEIGHT (IN.)	19	24.5
WIDTH (IN.)	9	9
DEPTH (IN.)	7	7
RANGE (INITIAL-FT.)	10-12	10-12
DISCHARGE TIME (SEC.)	72	80
REQUIRED CHARGE MODEL	670	671
NOMINAL OPERATING PRESSURE	100 PSIG	100 PSIG
INCLUDED BRACKET	NM Wall	NM Wall



HALOTRON® BRX (2-BTP)

HALOTRON® BRX (2-BTP) Amerex provides a unique solution for Halon 1211 replacement. These extinguishers utilize Halotron® BrX to fulfill the next generation of aviation extinguisher requirements. BrX is a low Global Warming Potential (GWP) and very low Ozone Depletion Potential (ODP) clean agent approved for use on commercial aircraft. The extinguishers are constructed of lightweight aluminum valves and cylinders (Model 351 has a steel cylinder). Models 349 and 351 include a hose that allows the operator greater flexibility for utilization in tight spaces. Amerex is the solution for the aviation portable extinguisher needs.

RUGGED

- 6-Year manufacturer's warranty
- Stored pressure design
- Aluminum cylinders (Model 351 has a steel cylinder)
- Durable high-gloss polyester powder paint
- All-metal valve construction
- Hose is unique to Amerex product (Models 349 and 351)

- Extinguishers are maintained in accordance with NFPA 10
- Hose provides greater access to tight spaces—offering greater flexibility when using the extinguisher (Models 349 and 351)
- Temperature range -40°F to 120°F

FAA APPROVED

- Models 347, 349 and 351 are FAA approved in accordance with DOT/FAA/AR-01/37

HALOTRON® BRX EXTINGUISHERS HAVE A 12-YEAR SERVICE LIFE AND ARE NON-RECHARGEABLE



USER-FRIENDLY

- Maximum visibility during discharge
- Large loop stainless steel pull pin (Model 351)
- No electrical conductivity back to the operator
- No thermal or static shock
- Leaves no residue
- QR coded and multilingual labels

ENVIRONMENT

- EPA approved “clean agent” for Class A, B and C hazards
- Low GWP – 0.26 (100 year)
- Low ODP – 0.0028
- Short atmospheric lifetime

LOW GWP AND VERY LOW ODP CLEAN AGENT

AGENT TYPE	HALOTRON® BRX (2-BTP)			
VALVE TYPE	Anodized Aluminum			
DESIGN	Nozzle		Hose & Nozzle	
MODEL NUMBER	337TS	347TS	349TS	351
UL & ULC RATING	2B:C	5B:C	5B:C	2A:10B:C
CAPACITY (LBS.) / (KG)	1.92 / .87	3.75 / 1.7	3.75 / 1.7	12.5 / 5.67
FILLED WT. (LBS.) / (KG)	3.18 / 1.44	5.50 / 2.49	5.75 / 2.61	19.88 / 9.02
HEIGHT (IN.) / (MM)	11.25 / 285.75	17.59 / 446.9	17.59 / 446.9	20.25 / 514.3
WIDTH (IN.) / (MM)	4 / 101.6	4 / 101.6	5.88 / 149.35	8.5 / 215.9
DEPTH (IN.) / (MM)	3.25 / 82.6	3.25 / 82.6	3.25 / 82.6	5 / 127
DISCHARGE TIME (SEC.)	9	9	9	16
RANGE (INITIAL- FT. / M)	7-8 / 2.13-2.44	10-12 / 3.05-3.66	10-12 / 3.05-3.66	15-17 / 4.57-5.18
MINIMUM CONFINED SPACE REQUIREMENTS (FT³/ M³)	459 / 13	896 / 25.37	896 / 25.37	2,988 / 84.6
NOMINAL OPERATING PRESSURE	100 PSIG	100 PSIG	100 PSIG	150 PSIG
FAA APPROVED MODEL		Yes	Yes	Yes
INCLUDED BRACKET	Aircraft			Wall

MODEL 351 SHIPS WITH A WALL BRACKET.

MODEL 809 VEHICLE BRACKET IS SOLD SEPARATELY.

MANUFACTURED AND TESTED TO UL STANDARDS
COMPLIES WITH NFPA 10 STANDARD
ISO-9001 AND ISO-14001 CERTIFIED UL LISTED

CONFORMS TO TEST STANDARDS:
CAN/ULC-S508 - UL 2129 &
CAN/ULC-S566 - UL 711



HALOTRON® I

RUGGED

- 6-Year manufacturer's warranty
- Stored pressure design
- Dependable drawn-steel cylinders
- Durable high-gloss polyester powder paint
- All-metal valve construction
- Temperature range -40°F to 120°F

USER-FRIENDLY

- Maximum visibility during discharge
- No electrical conductivity back to the operator
- No thermal or static shock
- Leaves no residue
- QR coded and multilingual labels

ENVIRONMENT

- Low Global Warming Potential (GWP) 0.0098, CFC-11=1.0
- Low Ozone Depletion Potential (ODP)—77,100 yr. CO2 time horizon
- Short atmospheric lifetime

OPTION

- Extinguishers are USCG approved with bracket listed on UL label
- Chrome cylinders (see chart at right)

HALOTRON® I clean fire extinguishing agent discharges as a rapidly evaporating liquid, which is non-conductive, noncorrosive, and leaves behind no residue. Halotron® I is the clean agent market leader with a history of successful real-world protection of valuable assets. From model-scale aircraft to wide-body commercial aircraft, from data centers to pharmaceutical and other industrial plants, the Halotron® I agent has been used to extinguish the fire, limit damage, and help reduce downtime that can be caused by other agents.

Applications for these extinguishers include: data centers, laboratories, manufacturing plants, general office areas, computer rooms, telecommunication facilities, clean rooms, control rooms, warehouses, military electronics, vehicles including classic autos, boats, engine compartments, aircraft ramps, onboard aircraft, and in facilities that service aircraft and any facility where dry chemical extinguishers could cause unacceptable damage or contamination.

AVAILABLE IN 65 AND 150 LB. WHEELED EXTINGUISHERS



A384T

B385TS

B386T

B394TS

397

398

ALUMINUM VALVE



BRASS VALVE



FAA APPROVED MODELS AVAILABLE (SEE CHART BELOW)

AGENT TYPE	HALOTRON® I					
VALVE TYPE	Anodized Aluminum				Chrome-Plated Brass	
DESIGN	Nozzle				Hose & Nozzle	
MODEL NUMBER	A384T	B385TS	B386T	B394TS	397	398
UL & ULC RATING	1B:C	2B:C	5B:C	5B:C	1A:10B:C	2A:10B:C
CAPACITY (LBS.)	1.4	2.5	5	5.5	11	15.5
SHIPPING WT. (LBS.)	3.25	5.25	9.5	10	22.5	27.5
HEIGHT (IN.)	10	15.5	15.25	15	21.88	21.88
WIDTH (IN.)	3.5	6.38	5.75	5.13	9.25	9.25
DEPTH (IN.)	2.63	3	4.25	4.25	6	6
RANGE (INITIAL- FT.)	6-8	6-10	9-15	9-15	9-15	12-18
DISCHARGE TIME (SEC.)	9	9	9	9	9	14
OPTIONAL CHROME CYLINDER	Yes	Yes	Yes			
MINIMUM CONFINED SPACE REQUIREMENTS (CU. FT.)	196	350	700	770	1540	2170
NOMINAL OPERATING PRESSURE	125 PSIG	100 PSIG	100 PSIG	150 PSIG	125 PSIG	125 PSIG
FAA APPROVED MODEL				Yes	Yes	Yes
INCLUDED BRACKET	Vehicle	Vehicle	Vehicle	Aircraft	Wall	Wall

MANUFACTURED AND TESTED TO UL STANDARDS
 COMPLIES WITH NFPA 10 STANDARD
 ISO-9001/ ISO-14001 CERTIFIED UL LISTED

CONFORMS TO TEST STANDARDS:
 CAN/ULC-S566 - UL 2129 &
 CAN/ULC-S508 - UL 711



HALON 1211

HALON 1211 is a liquefied gas, pressurized with nitrogen, which discharges as a vapor causing no cold or static shock and no impairment of the operator's vision. This "CLEAN" agent quickly penetrates difficult-to-see and hard-to-reach areas and leaves no residue. It is recommended for protection of delicate, sensitive, and expensive computers, electrical equipment, tapes and film, automotive and aircraft engines, laboratory chemicals and equipment.

Shipping Permit DOT-SP-21460

RUGGED

- 1-Year manufacturer's warranty
- Stored pressure design
- Dependable drawn-steel cylinders
- Durable high-gloss polyester powder paint
- All-metal valve construction
- Temperature range -65°F to 120°F

USER-FRIENDLY

- Maximum visibility during discharge
- No electrical conductivity back to the operator
- No thermal or static shock
- QR coded and multilingual labels

CLEAN

- Leaves no residue
- Reclaimed Halon 1211 is restored to original military specification
- Uses all recycled gas in accordance with The Montreal Protocol

OPTION

- USCG approved with bracket listed on UL label (except model A344T)
- Chrome cylinders (see chart at left)

MANUFACTURED AND TESTED TO UL STANDARDS

COMPLIES WITH NFPA 10 STANDARD
ISO-9001 AND ISO-14001 CERTIFIED UL LISTED

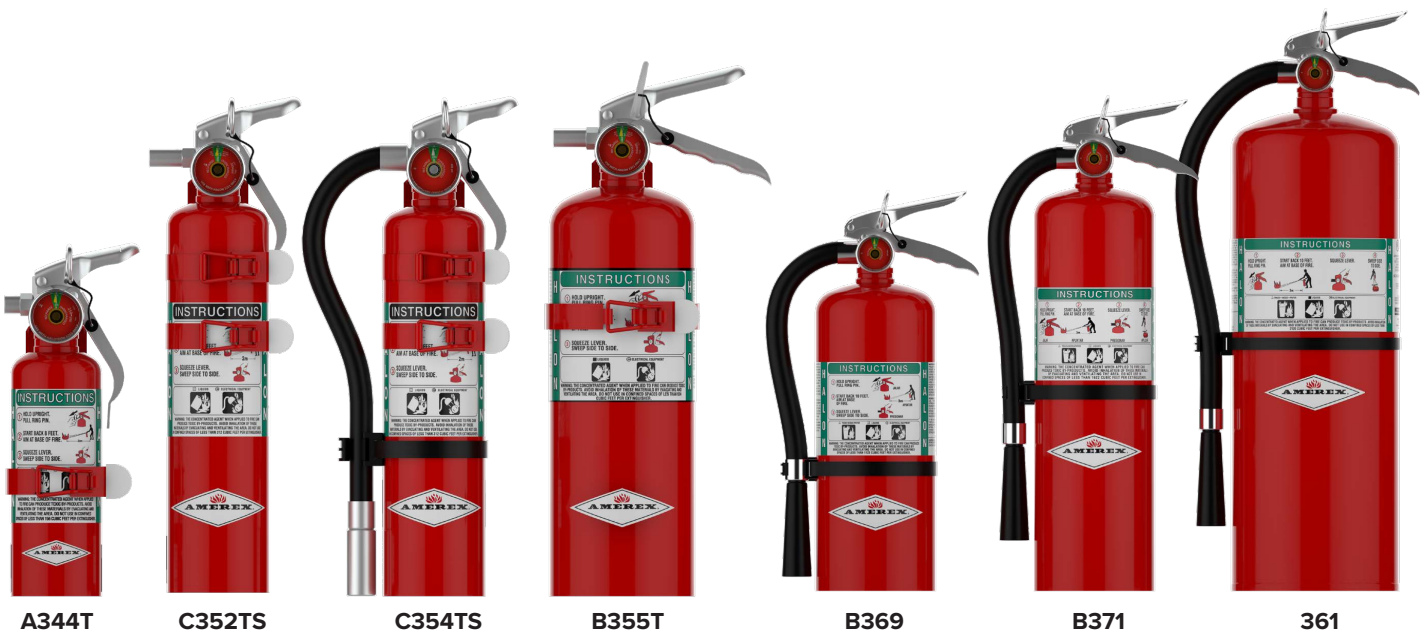
CONFORMS TO TEST STANDARDS:

UL 1093 & UL 711

RECYCLED GASEOUS AGENT CERTIFIED TO MEET MILITARY SPECIFICATIONS

AGENT TYPE	HALON 1211						
	Anodized Aluminum				Chrome-Plated Brass		
VALVE TYPE	Nozzle				Hose		
DESIGN	Nozzle				Hose		
MODEL NUMBER	*A344T	*C352TS	*C354TS	B355T	B369	B371	361
UL RATING	2B:C	5B:C	5B:C	10B:C	1A:10B:C	2A:40B:C	4A:80B:C
CAPACITY (LBS.)	1.25	2.5	3	5	9	13	17
SHIPPING WT. (LBS.)	2.75	5.5	6	9.75	16.75	22	36.25
HEIGHT (IN.)	10	14.38	14.38	15.25	16.25	20.25	24
WIDTH (IN.)	3.63	4.5	6	5.75	8.5	8.5	9.75
DEPTH (IN.)	2.63	3	3	4.25	5	5	7
RANGE (INITIAL- FT.)	9-12	9-15	9-15	9-15	12-18	12-18	12-18
DISCHARGE TIME (SEC.)	10	10	12	10	9	14	22
OPTIONAL CHROME CYLINDER	Yes	Yes	Yes	Yes		Yes	
MINIMUM SPACE REQUIREMENTS (CU. FT.)	156	312	375	624	1123	1622	2120
NOMINAL OPERATING PRESSURE	100 PSIG	125 PSIG	195 PSIG	125 PSIG	195 PSIG	195 PSIG	195 PSIG
INCLUDED BRACKET	Vehicle	Aircraft	Aircraft	Vehicle	Wall	Wall	Wall

*SPECIAL VALVE DESIGN FOR AIRCRAFT INSTALLATIONS



ALUMINUM VALVE



BRASS VALVE



CARBON DIOXIDE

RUGGED

- 5-Year manufacturer's warranty
- All-metal valve construction
- Rust-free aluminum cylinders
- Durable high-gloss polyester powder paint
- Temperature range -22°F to 120°F

USER-FRIENDLY

- Meets many hospital medical equipment requirements
- Large loop stainless steel pull pin
- QR coded and multilingual labels
- Leaves no residue

OPTION

- USCG approved with bracket listed on UL label
- Model 322NM is independently tested and approved for use in MRI facilities to 11.7 Tesla
- Model 322NM has a sanitary white paint finish (easy to clean)

CARBON DIOXIDE is discharged as a white cloud of “snow” which smothers a fire by displacing oxygen. It is effective for Class B flammable liquids and is electrically non-conductive. Carbon Dioxide is a clean, non-contaminating, odorless gas.



**AVAILABLE IN
50 AND 100 LB. WHEELED
EXTINGUISHERS**

**NONMAGNETIC MODEL AVAILABLE
(MODEL 322NM—TESTED TO 11.7 TESLA)**

322NM
MR CONDITIONAL
THIS EXTINGUISHER HAS BEEN TESTED TO OPERATE PROPERLY AND POSE NO SAFETY HAZARD IN AN MRI ENVIRONMENT ASSOCIATED WITH MR SYSTEMS OPERATING AT 11.7 TESLA OR LESS.

MANUFACTURED AND TESTED TO UL STANDARDS
COMPLIES WITH NFPA 10 STANDARD
ISO-9001/ ISO-14001 CERTIFIED UL LISTED

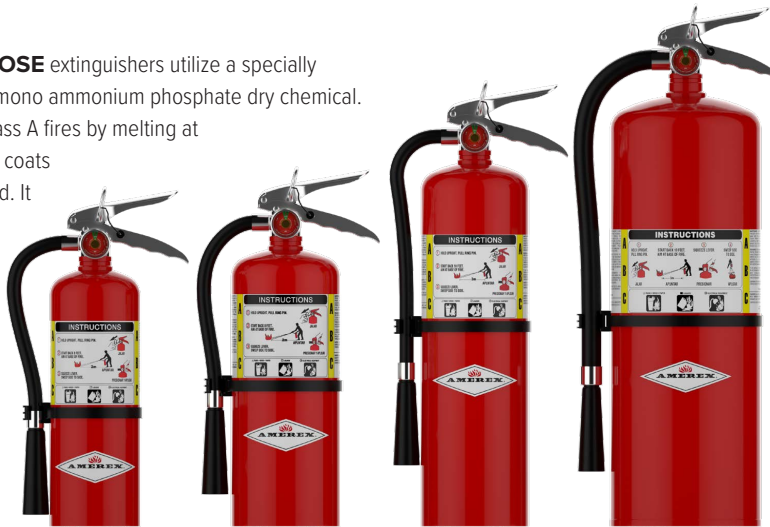
CONFORMS TO TEST STANDARDS:
CAN/ULC-S503 - UL 154 &
CAN/ULC-S508 - UL 711

AGENT TYPE	CARBON DIOXIDE				
VALVE TYPE	Chrome-Plated Brass				
DESIGN	Tube & Horn		Hose & Horn		
MODEL NUMBER	322	322NM	330	331	332
UL & ULC RATING	5B:C	5B:C	10B:C	10B:C	10B:C
CAPACITY (LBS.)	5	5	10	15	20
SHIPPING WT. (LBS.)	13.1	13.1	28.25	37.75	50.75
HEIGHT (IN.)	17.75	17.75	24	30	30
WIDTH (IN.)	8.25	8.25	12	12	13
DEPTH (IN.)	5.25	5.25	7	7	8
RANGE (INITIAL- FT.)	3-8	3-8	3-8	3-8	3-8
DISCHARGE TIME (SEC.)	9	9	11	14.5	19.2
INCLUDED BRACKET	Wall	NM Wall	Wall	Wall	Wall



ABC DRY CHEMICAL

ABC or MULTI-PURPOSE extinguishers utilize a specially fluidized and siliconized mono ammonium phosphate dry chemical. It chemically insulates Class A fires by melting at approximately 350°F and coats surface where it is applied. It smothers and breaks the chain reaction of Class B fires and will not conduct electricity back to the operator.



B424

B461

B441

423

BRASS VALVE

RUGGED

- 6-Year manufacturer's warranty
- Stored pressure design
- Dependable drawn-steel cylinders
- Durable high-gloss polyester powder paint
- All-metal valve construction

BRASS VALVE—HEAVY DUTY

- Chrome-plated brass valve body
- Stainless steel handle & lever

ALUMINUM VALVE—LIGHT TO MEDIUM DUTY

- Anodized aluminum valve body
- Anodized aluminum handle & lever

- Temperature range -65°F to 120°F

USER-FRIENDLY

- Easy and economical to maintain and service
- QR coded and multilingual labels

OPTION

- USCG approved with bracket listed on UL label
- Chrome cylinders (see chart below)



B417/T

B500/T

B402/T

B443

B456

A411

ALUMINUM VALVE

AVAILABLE IN WHEELED EXTINGUISHERS



MANUFACTURED AND TESTED TO UL STANDARDS
COMPLIES WITH NFPA 10 STANDARD
ISO-9001/ISO-14001 CERTIFIED UL LISTED

CONFORMS TO TEST STANDARDS:
CAN/ULC-S504 - UL 299 &
CAN/ULC-S508 - UL 711

LARGEST SELECTION OF SIZE AND EXTINGUISHER OPTIONS AVAILABLE

AGENT TYPE	ABC DRY CHEMICAL									
	Anodized Aluminum						Chrome-Plated Brass			
VALVE TYPE	Nozzle						Hose & Nozzle			
DESIGN	Nozzle						Hose & Nozzle			
MODEL NUMBER	B417T	B500/B500T	B402/B402T	B443	B456	A411	B424	B461	B441	423
UL & ULC RATING	1A:10B:C	2A:10B:C	3A:40B:C	3A:40B:C	4A:80B:C	10A:120B:C	2A:10B:C	3A:40B:C	4A:80B:C	10A:120B:C
CAPACITY (LBS.)	2.5	5	5	6	10	20	5	6	10	20
SHIPPING WT. (LBS.)	5.25/5.5	9.25/9.5	9.25/9.5	12.75	18	36.5	10.5	14	19.5	38
HEIGHT (IN.)	15.25	15.25	15.25	16	20	24	15.5	16.25	20.5	24
WIDTH (IN.)	5.5	7.25	7.25	7.75	7.75	10.25	8	8.5	8.75	10.25
DEPTH (IN.)	3	4.25	4.25	5	5	7	4.25	5	5	7
RANGE (INITIAL- FT.)	9-15	12-18	12-18	15-21	15-21	15-21	12-18	15-21	15-21	15-21
DISCHARGE TIME (SEC.)	9	14	14	14.5	22	30	14	14	22	30
OPTIONAL CHROME CYLINDER	Yes	Yes	Yes		Yes			Yes	Yes	
NOMINAL OPERATING PRESSURE	195 PSIG	195 PSIG	195 PSIG	195 PSIG	195 PSIG	195 PSIG	195 PSIG	195 PSIG	195 PSIG	195 PSIG
INCLUDED BRACKET	Vehicle	Wall/Vehicle		Wall			Wall			



PURPLE K DRY CHEMICAL

RUGGED

- 6-Year manufacturer's warranty
- Stored pressure design
- Dependable drawn-steel cylinders
- Durable high-gloss polyester powder paint
- All-metal valve construction

BRASS VALVE— HEAVY DUTY

- Chrome-plated brass valve body
- Stainless steel handle & lever

ALUMINUM VALVE— LIGHT TO MEDIUM DUTY

- Anodized aluminum valve body
 - Anodized aluminum handle & lever
- Temperature range -65°F to 120°F

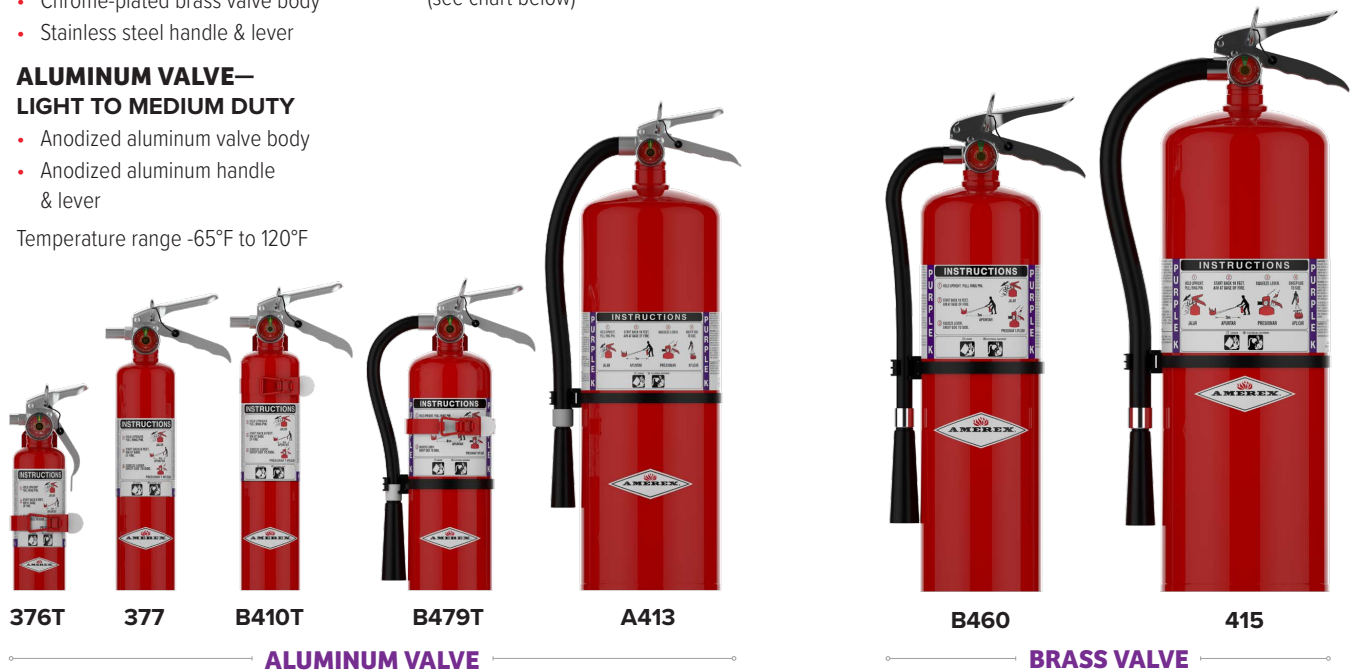
USER-FRIENDLY

- Easy and economical to maintain and service
- QR coded and multilingual labels

OPTION

- USCG approved with bracket listed on UL label
- Chrome cylinders (see chart below)

PURPLE K extinguishers contain specially fluidized and siliconized potassium bicarbonate dry chemical that is particularly effective on Class B flammable liquids, pressurized gases, and Class C electrical fires. It is electrically nonconductive. PURPLE K has been the choice of oil, gas, chemical and utilities industries as the preferred fire-fighting agent.



MANUFACTURED AND TESTED
TO ANSI/UL STANDARDS
COMPLIES WITH NFPA 10 STANDARD
ISO-9001/ ISO-14001 CERTIFIED UL LISTED

CONFORMS TO TEST STANDARDS:
CAN/ULC-S504 - UL 299 &
CAN/ULC-S508 - UL 711

AVAILABLE IN WHEELED
EXTINGUISHERS



LARGEST SELECTION OF SIZE AND EXTINGUISHER OPTIONS AVAILABLE.

AGENT TYPE	PURPLE K DRY CHEMICAL						
VALVE TYPE	Anodized Aluminum					Chrome-Plated Brass	
DESIGN	Nozzle			Hose & Nozzle			
MODEL NUMBER	376T	377	B410T	B479/B479T	A413	B460	415
UL & ULC RATING	2B:C	10B:C	10B:C	30B:C	120B:C	80B:C	120B:C
CAPACITY (LBS.)	1	2.5	2.5	5	20	10	20
SHIPPING WT. (LBS.)	2.25	5.5	5.5	9.5	36.4	19.5	38
HEIGHT (IN.)	10.25	14.79	15.5	15.25	24	20.5	24
WIDTH (IN.)	3.94	5.5	5.5	7.25	10.25	8.75	10.25
DEPTH (IN.)	2.63	3	3	4.25	7	5	7
RANGE (INITIAL- FT.)	5-8	5-8	9-15	12-18	15-21	15-21	15-21
DISCHARGE TIME (SEC.)	8.5	8.5	9.5	12	28	22	28
OPTIONAL CHROME CYLINDER	Yes		Yes	Yes		Yes	
NOMINAL OPERATING PRESSURE	125 PSIG	195 PSIG	195 PSIG	195 PSIG	195 PSIG	195 PSIG	195 PSIG
INCLUDED BRACKET	Vehicle	Wall	Vehicle	Wall/Vehicle		Wall	

SPECIALIZED EXTINGUISHERS



Quality is Behind the Diamond®



CLASS D

The Amerex “soft flow” extension applicator is particularly suited for fighting **CLASS D** fires. It allows the operator to stand away from the extreme heat and toxic fumes caused by burning material. The easily controlled, even discharge provides a non-dispersing application of the agent. The extension applicator may be quickly detached to provide a straight stream of chemical where greater range is required.

RUGGED

- 6-Year manufacturer’s warranty
- Stored pressure design
- Dependable drawn-steel cylinders
- Class D color-coded paint finish
- All-metal valve construction
- Temperature range -40°F to 120°F

USER-FRIENDLY

- Unique “soft flow” extension applicator plus built-in long-range nozzle
- Large loop stainless steel pull pin
- QR coded and multilingual labels

OPTION

- Model 859 dolly cart provides for easy transport



***MODEL C571** Due to the density of copper, extra agent is added to achieve 30 lbs. of agent discharge at a 45° angle. **THE ACTUAL EXTINGUISHING RECHARGE AGENT QUANTITY IS 41½ LBS.**

MANUFACTURED AND TESTED TO UL STANDARDS
COMPLIES WITH NFPA 10 STANDARD
ISO-9001/ISO-14001 CERTIFIED FM APPROVED

CONFORMS TO TEST STANDARDS:
CAN/ULC-S504 - UL 299 &
CAN/ULC-S508 - UL 711

MODEL B570 contains a special blended sodium-chloride-based dry powder extinguishing agent. Heat from the fire causes it to cake and form a crust excluding air and dissipating heat from burning metal. Metal fires involving magnesium, sodium, potassium, and sodium-potassium alloys can be successfully extinguished with this extinguisher. There is data showing that zirconium, uranium, titanium, and powdered aluminum fires can be controlled and extinguished with this unique extinguisher.

AVAILABLE IN 150-LB. WHEELED EXTINGUISHER

HAZARD	Fire Ratings Approximate Hazard Size	
	Area FT ² (m ²)	Quantity of Metal LBS (KG)
Magnesium chips	4 (.37)	6 (2.72)
Sodium spill	5 (.46)	5 (2.26)
- Depth over ½ inch (1.3 CM)	3 (.27)	6 (2.72)
Potassium spill	5 (.46)	5 (2.26)
- Depth over ½ inch (1.3 CM)	3 (.27)	6 (2.72)
Sodium potassium alloy spill	3 (.27)	2 (.9)



MODEL C571 contains a copper extinguishing agent specially developed by the U.S. Navy for fighting lithium and lithium alloy fires. The copper compound smothers the fire and provides an excellent heat sink for dissipating heat. Copper powder has been found to be superior to all other known fire extinguishing agents for lithium metal fires. **Not recommended for lithium-ion battery fires.**

AVAILABLE IN 250-LB. WHEELED EXTINGUISHER

Extinguishing Capacity:
4 ft.² and/or approximately 5 lbs. of lithium metal



FOR COMBUSTIBLE METAL FIRES

AGENT TYPE	SODIUM CHLORIDE	COPPER
VALVE TYPE	Chrome-Plated Brass	
DESIGN	Hose & Horn or Wand applicator	
MODEL NUMBER	B570	C571
CAPACITY (LBS.)	30	*30
SHIPPING WT. (LBS.)	53	59
HEIGHT (IN.)	35	34
WIDTH (IN.)	13	11
DEPTH (IN.)	8	7
RANGE (INITIAL- FT.)	3-6	3-6
DISCHARGE TIME (SEC.)	24	24
FM APPROVED	Yes	Yes
NOMINAL OPERATING PRESSURE	195 PSIG	195 PSIG
INCLUDED BRACKET	Wall	Wall



Z-SERIES HIGH PERFORMANCE

Z-Series extinguishers are the ultimate choice in fire extinguishers for high hazard, frequent use, and extreme environment applications. They are economical—less initial cost, lower maintenance costs, and greater reliability than cartridge-operated extinguishers. Amerex Z-Series extinguishers are available with a proprietary, zinc-enriched coating that resists corrosion for up to 12 years in severely salt-contaminated environments.



AVAILABLE IN 125-AND 250-LB. WHEELED EXTINGUISHERS



RUGGED

- 12-Year manufacturer's warranty
- Zinc-enriched coating
- All-metal valve construction
- Chrome-plated brass gauge guards
- Protective rubber foot rings
- Superior vertical and horizontal range
- Higher operating pressure
- Temperature range -65°F to 120°F

AGENTS

- ABC or Purple K

FAST FLOW

790, 791, 792, 793, 794, 795, 796

COMPLIANCE FLOW

713, 714, 715, 716, 717, 718

USER-FRIENDLY

- Wide grip allows clearance for gloved hand
- Large loop stainless steel pull pin
- QR coded and multilingual labels

FAST FLOW

- High flow rate
- Fast discharge
- Quicker knockdown
- More operator protection

COMPLIANCE FLOW

- Long range
- Highest UL ratings

OPTION

- USCG approved with bracket listed on UL label
- Hot dip galvanized USCG brackets available

MANUFACTURED AND TESTED TO UL STANDARDS

COMPLIES WITH NFPA 10 STANDARD
ISO-9001 AND ISO-14001 CERTIFIED UL LISTED

CONFORMS TO TEST STANDARDS:

CAN/ULC-S504 - UL 299 &
CAN/ULC-S508 - UL 711

AFFORDABLE AND EASY TO MAINTAIN

AGENT TYPE	ABC DRY CHEMICAL				PURPLE K DRY CHEMICAL				ABC DRY CHEMICAL				PURPLE K DRY CHEMICAL			
PERFORMANCE	Fast Flow								Compliance Flow							
VALVE TYPE	Chrome-Plated Brass with Gauge Guard															
DESIGN	Hose & Nozzle															
MODEL NUMBER	790	791	792	793	794	795	796	713	714	715	716	717	718			
UL & ULC RATING	2A:40:BC	4A:40B:C	4A:40B:C	40B:C	40B:C	20B:C	40B:C	4A:80B:C	10A:120B:C	10A:160B:C	80B:C	120B:C	160B:C			
CAPACITY (LBS./KG)	13.2/6	20/9	30/13.6	13.2/6	20/9	20/9	30/13.6	13.2/6	20/9	30/13.6	13.2/6	20/9	30/13.6			
SHIPPING WT. (LBS.)	29	40	56	29	40	40	56	29	40	56	29	40	56			
HEIGHT (IN.)	17.5	24.75	26.5	17.5	24.75	24.75	26.5	17.5	24.75	26.5	17.5	24.75	26.5			
WIDTH (IN.)	10.5	10.5	11	10.5	10.5	10.5	11	10.5	10.5	11	10.5	10.5	11			
DEPTH (IN.)	7	7	8	7	7	7	8	7	7	8	7	7	8			
RANGE (INITIAL- FT.)	40-50				40-50				40-50				40-50			
DISCHARGE TIME (SEC.)	15	18	21	15	15	10	16	22	30	34	22	29	34			
AVERAGE DISCHARGE RATE (LBS./SEC.)	.94	1.20	1.60	.94	1.44	2.00	1.88	.59	.65	.95	.61	.67	.81			
NOMINAL OPERATING PRESSURE	240 PSIG	240 PSIG	240 PSIG	240 PSIG	240 PSIG	240 PSIG	240 PSIG	240 PSIG	240 PSIG	240 PSIG	240 PSIG	240 PSIG	240 PSIG			
INCLUDED BRACKET	Wall				Wall				Wall				Wall			



HIGH FLOW DRY CHEMICAL

RUGGED

- 6-Year manufacturer's warranty
- Stored pressure design
- Dependable drawn-steel cylinders
- Durable high-gloss polyester powder paint
- All-metal valve construction
- **Brass Valve-Heavy Duty**
 - Chrome-plated brass valve body
 - Stainless steel handle & lever
- Twice the flow rate of standard models
- Meets DOT requirements
- Temperature range -65°F to 120°F

USER-FRIENDLY

- Easy and economical to maintain and service
- Large loop stainless steel pull pin
- QR coded and multilingual labels

OPTION

- USCG approved with bracket listed on UL label
- ABC or Purple K Chemical

HIGH FLOW portable fire extinguishers are for applications where discharge rates exceeding one pound per second are required as specified in NFPA 10. These extinguishers utilize the same hardware and are manufactured to the same UL specifications as Amerex compliance-rated products.



(10 LBS)
720, 722



(20 LBS)
760, 762



HIGH FLOW—EXCEEDS 1 LB. PER SECOND DISCHARGE RATE

AGENT TYPE	ABC	ABC	PURPLE K	PURPLE K
MODEL NUMBER	720	760	722	762
DESIGN	Hose & Nozzle		Hose & Nozzle	
CAPACITY (LBS.)	10	20	10	20
UL RATING	1A:20B:C	4A:60B:C	20B:C	60B:C
SHIPPING WEIGHT (LBS.)	19.5	38	19.5	38
DISCHARGE TIME (SEC.)	10	19	12	20
DISCHARGE RATE (LBS./SEC.)	1.22	1.14	1.15	1.08
DISCHARGE RANGE (FT.)	15-25	15-25	15-25	15-25
HEIGHT (IN.)	20½	24	20½	24
WIDTH (IN.)	8¾	10¼	8¾	10¼
DEPTH (IN.)	5	7	5	7
NOMINAL OPERATING PRESSURE	195 PSIG	195 PSIG	195 PSIG	195 PSIG
INCLUDED BRACKET	Wall		Wall	

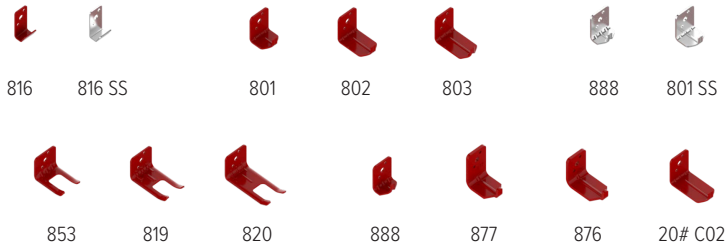
MANUFACTURED AND TESTED TO UL STANDARDS
COMPLIES WITH NFPA 10 STANDARD
ISO-9001/ISO-14001 CERTIFIED UL LISTED

CONFORMS TO TEST STANDARDS:
CAN/ULC-S504 - UL 299 &
CAN/ULC-S508 - UL 711

BRACKETS

All Amerex brackets meet the latest UL salt spray requirements (240 hrs. @ 20% salt solution—ASTM B117). 1-year manufacturer's warranty applies to all brackets. Please see [Amerex Parts Catalog](#) for bracket details.

Wall-Hanger Brackets



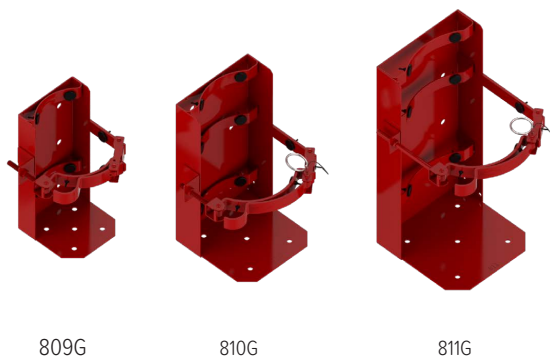
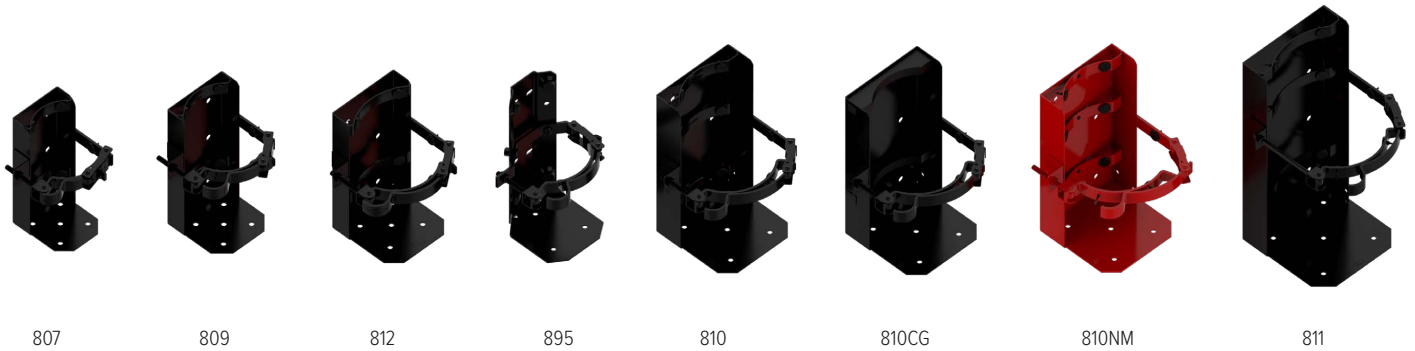
6- & 10-lb. Wall Strap Type



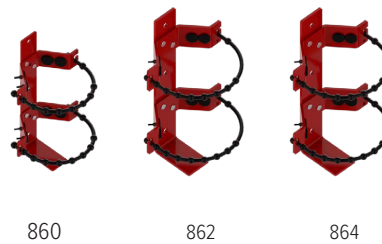
Vehicle/Marine/Aviation Brackets



Heavy-Duty Box-Type Vehicle Brackets (Red Brackets are Galvanized)



Heavy-Duty Rubber Strap Brackets



Heavy-Duty Dolly Cart



For a full list of our available brackets, please visit www.amerex-fire.com.

EXTINGUISHERS AT-A-GLANCE

AGENT TYPE	SIZE (CAPACITY)	MODEL	CYL. DIA. (INCH)	INCLUDED BRACKET	USCG BRACKET	OPTIONAL BRACKETS	RUBBER STRAP BRACKETS	859 DOLLY OPTION	
WATER	2.5 Gal.	240	7	816 Wall	N/A	810	864	Yes	
WATER MIST	1.75 Gal.	C270	7	816SS Wall	N/A	810, 810NM	N/A		
	2.5 Gal.	C272	7	816SS Wall	N/A	810, 810NM	N/A		
WET CHEMICAL	6 Liter	C260	7	816 Wall		810	N/A		
	2.5 Gal.	C262	7	816 Wall		810	864	Yes	
	6 Liter	C260CG	7	816 Wall	810CG	N/A	N/A		
	2.5 Gal.	C 262CG	7	816 Wall	810CG	N/A	N/A		
HALOTRON® BRX	1.92 LB.	337TS	3.25	899TS					
	3.75 LB.	347TS	3.25	898TS					
	3.75 LB.	349TS	3.25	898TS					
	12.5 LB.	351	5	801 Wall		809			
HALOTRON® I	1.4 LB.	A384T	2.63	845 Vehicle	N/A	845S	N/A		
	2.5 LB.	B385TS	3	817S Vehicle	N/A	817S	860		
	5 LB.	B386T	4.25	818 Vehicle	818, 821, 861H	818S, 821, 821S, 807	860		
	5.5 LB.	B394TS	4.25	818S Aircraft	N/A	818S, 821, 821S, 807	860		
	11 LB.	397	6	802 Wall	812	812	N/A		
	15.5 LB.	398	6	802 Wall	812	812	N/A		
HALON 1211	1.25 LB.	A344T	2.63	845 Vehicle	N/A	845S	N/A		
	2.5 LB.	C352TS	3	817S Aircraft	817	N/A	860		
	3 LB.	C354TS	3	817S Aircraft	817	N/A	860		
	5 LB.	B355T	4.25	818 V	818, 821, 861H	818S, 821, 821S, 807	860		
	9 LB.	B369	5	801 Wall	808, 809	808, 809, 846, 889HB, 895	862		
	13 LB.	B371	5	816 Wall	809	846, 809, 846, 889HB, 895	862		
HALON 1211	17 LB.	361	7	803 Wall	810	810	864	Yes	
	ABC DRY CHEMICAL	2.5 LB.	B417 / B417T	3	817VM Wall / 817	817	817S	860	
		5 LB.	B402 / B402T	4.25	888 Wall / 818	818, 821, 861H	818S, 821, 821S, 807	860	
		5 LB.	B500 / B500T	4.25	888 Wall / 818	818, 821, 861H	818S, 821, 821S, 807	860	
		5 LB.	B424	4.25	888 Wall	821, 861H	821, 821S, 807	860	
		6 LB.	B443	5	801 Wall	808, 809, 895	808, 809, 889HB, 895	862	
		6 LB.	B461	5	801 Wall	808, 809, 895	808, 809, 846, 889, 895	862	
		10 LB.	B456	5	801 Wall	809, 895	808, 809, 846, 889, 889HB, 895	862	
		10 LB.	B441	5	816 Wall	809, 895	808, 809, 889HB, 895, 846	862	
20 LB.		A411	7	803 Wall	810	810	864	Yes	
20 LB.	423	7	803 Wall	810	810	864	Yes		
PURPLE K DRY CHEMICAL	1 LB.	376T	2.63	846					
	2.5 LB.	377	3						
	2.5 LB.	B410T	3	817	817	817S	860		
	5 LB.	B479 / B479T	4.25	888 Wall / 818 VM	818, 821, 861H	807, 818S, 821, 821S, 861H	860		
	10 LB.	B460	5	816 Wall	809, 895	808, 809, 846, 889HB, 895	862		
	20 LB.	A413	7	803 Wall	810	810	864	Yes	
	20 LB.	415	7	803 Wall	810	810	864	Yes	
CARBON DIOXIDE	5 LB.	322	5.25	801 Wall	809	809	862		
	5 LB.	322NM	5.25	801SS Wall	N/A	N/A	N/A		
	10 LB.	330	7	802 Wall	810	810	N/A		
	15 LB.	331	7	802 Wall	810	810	864	Yes	
	20 LB.	332	8	20# CO2 Wall	811	811	864	Yes	
Z-SERIES High Performance	13.2 LB. (6 KG)	713, 716, 790, 793	7	877 Wall	810 & 810G	810 & 810G	N/A		
	20 LB. (9 KG)	714, 717, 791, 794, 795	7	877 Wall	810 & 810G	810 & 810G	864	Yes	
	30 LB. (13.6 KG)	715, 718, 792, 796	8	876 Wall	811 & 811G	811 & 811G	864	Yes	
HIGH FLOW EXTINGUISHERS	10 LB.	720, 722	5	816 Wall	809, 895	808, 809, 889HB, 895, 846	862		
	20 LB.	760, 762	7	803 Wall	810	810	864	Yes	
CLASS D DRY POWDER	30 LB.	B570	8	803 Wall	N/A	811	864	Yes	
	30 LB.	C571	7	877 Wall	810	810	864	Yes	





Quality is Behind the Diamond®



ISO 9001–Quality
ISO 14001–Environmental
OHSAS 18001–Safety

CERTIFIED

Amerex Corporation makes every attempt possible to provide the most current and updated information. Information contained within this brochure is deemed to be as accurate as possible as of the printing date. Routine changes to products, codes and standards, and warranties subsequent to this printing will supersede printed information. Please contact Amerex Corporation for any revisions, updates, or product changes.

© Copyright Amerex Corporation 2023

7595 Gadsden Hwy.
P.O. Box 81
Trussville, AL 35173
Ph (205) 655-3271



[amerex_corporation](#)



[@amerex_corporation](#)



[@amerex_corporation](#)



[amerex_corporation](#)

www.amerex-fire.com
sales@amerex-fire.com
intl.sales@amerex-fire.com